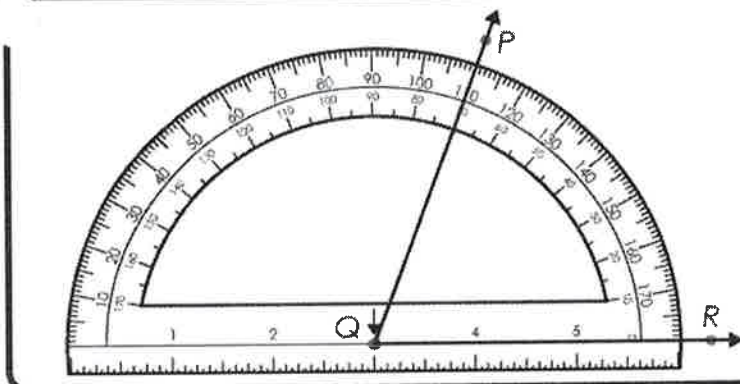


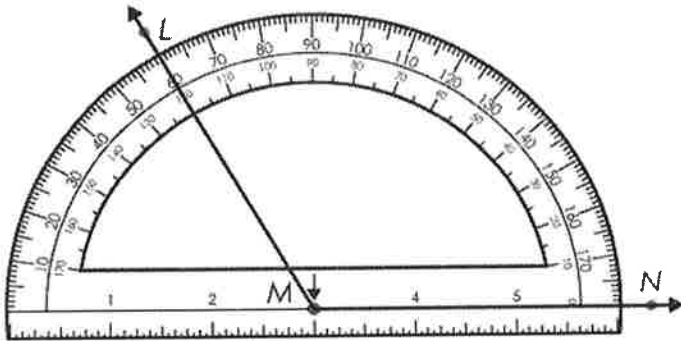
Name: _____

Using a Protractor

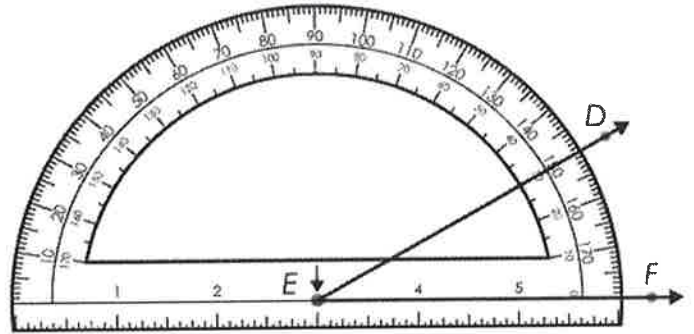


The protractor's arrow and pen hole is placed on the angle's vertex. The 0° line is placed over one side of the angle. Read the measure where the other leg of the angle intersects the protractor.

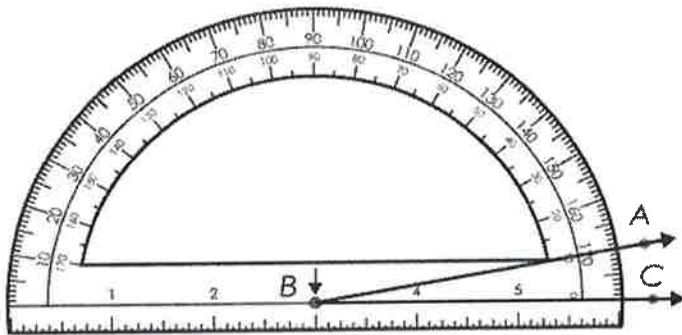
$\angle PQR$ measures 70° .



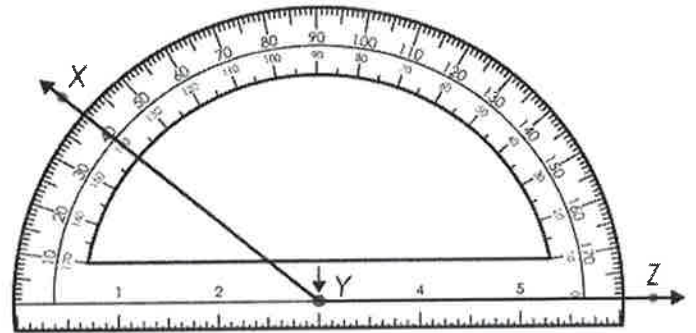
$\angle LMN =$ _____



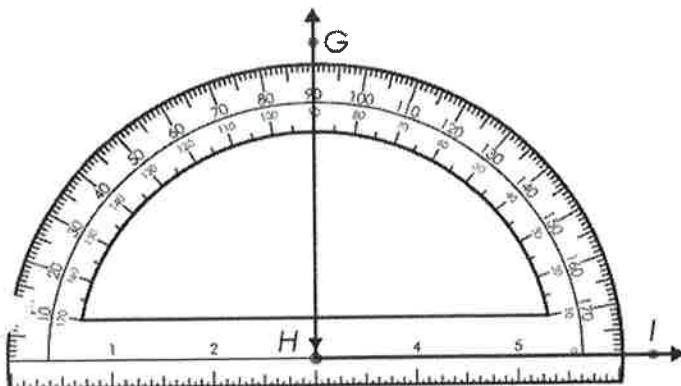
$\angle DEF =$ _____



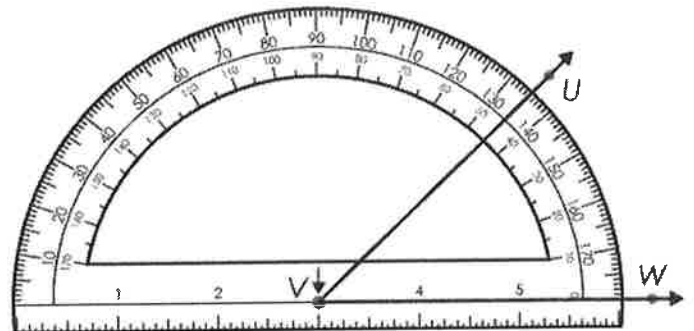
$\angle ABC =$ _____



$\angle XYZ =$ _____



$\angle GHI =$ _____



$\angle UVW =$ _____

Types of Angles

G-AB 1

Instructions: For each angle, mark the box that matches its type.

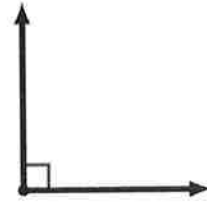
1

- Acute
- Right
- Obtuse
- Straight



2

- Acute
- Right
- Obtuse
- Straight



3

- Acute
- Right
- Obtuse
- Straight



4

- Acute
- Right
- Obtuse
- Straight



5

- Acute
- Right
- Obtuse
- Straight



6

- Acute
- Right
- Obtuse
- Straight



7

- Acute
- Right
- Obtuse
- Straight



8

- Acute
- Right
- Obtuse
- Straight

